
Technical sheet :

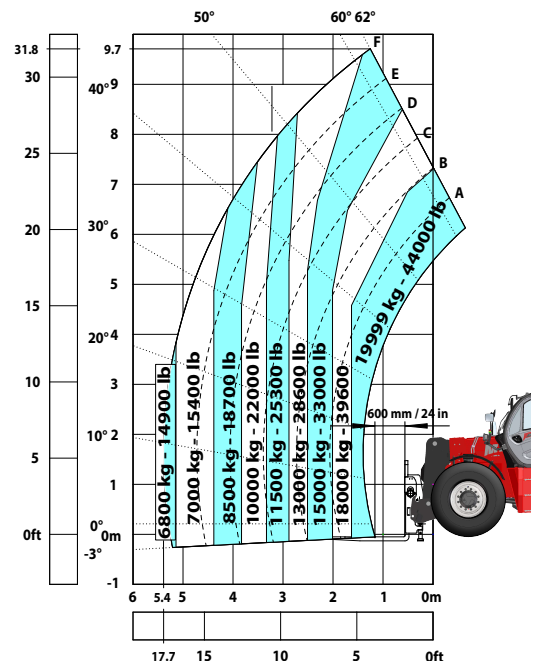
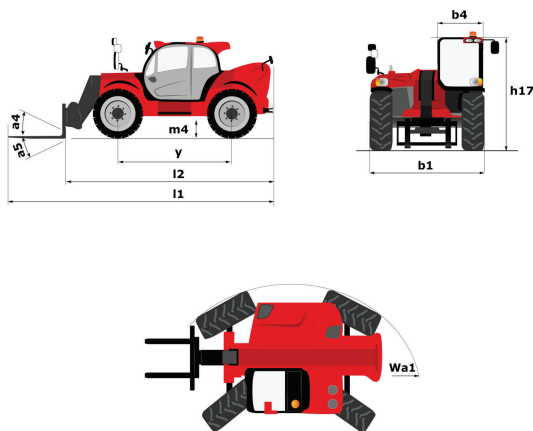
MHT 10200 ST5

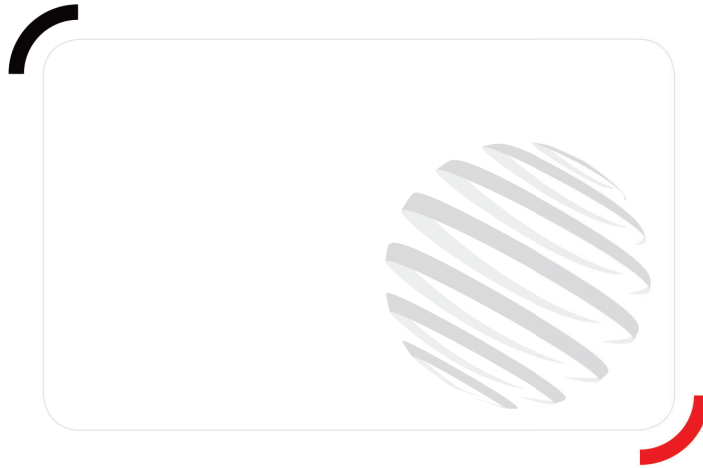


Capacities		Imperial (Metric)
Max. capacity		44,000 lbs. (20000 kg)
Load center of gravity	c	24 in (600 mm)
Max. lifting height		31 ft 10 in (9.7 m)
Max. outreach	r1	18 ft 8 in (5.4 m)
Weight and dimensions		
Unladen weight (with forks)		59,194 lbs. (28850 kg)
Ground clearance	m4	16 in (0.41 m)
Wheelbase	y	12 ft 4 in (3.75 m)
Length to face of forks	l2	22 ft (6.7 m)
Overall width	b1	8 ft 3 in (2.52 m)
Overall height	h17	9 ft 9 in (2.97 m)
Overall cab width	b4	37 in (0.94 m)
Tilt-down angle	a5	105 °
Tilt-up angle	a4	12 °
External turning radius (over tires)	Wa1	18 ft 10 in (5.75 m)
Frame leveling	a9	10 °
Wheels		
Standard tires		16.00 R25
Number of front wheels / rear wheels		2 / 2
Drive wheels (front / rear)		2 / 2
Steering mode		2 wheel steer, 4 wheel steer, Crab mode
Engine		
Engine brand		Yanmar
Engine norm		Stage V / Tier 4
Engine model		4TN107FTT-6SMU2
Number of cylinders / Capacity of cylinders		4 - 279 in³
I.C. Engine power rating / Power (kW)		211 Hp / 155 kW
Max. torque / Engine rotation		594 ft-lbs. (805 Nm) @1500 rpm
Engine cooling system		Water
Number of batteries		2
Battery / Batteries capacity		12 V / 120 Ah
Transmission		
Transmission type		Hydrostatic
Number of gears (forward / reverse)		2 / 2
Max. travel speed		16 mph (25 km/h)
Parking brake		Automatic negative parking brake
Service brake		Oil-immersed multi-discs braking on front & rear axles
Hydraulics		
Hydraulic pump type		Load sensing pump
Hydraulic flow - Pressure		72.6 gal/min (275 l/min) - 5076 PSI
Tank capacities		
Engine oil		3.4 gal (13 L)
Hydraulic oil		76.6 gal (290 L)
Fuel tank		83 gal (315 L)
Diesel Exhaust fluid (AdBlue® type)		6.3 gal (24 L)
Miscellaneous		
Safety cab homologation		ROPS - FOPS cab (level 2)
Controls		JSM

Machine on tires with forks LC 24 in (600 mm) ANSI B56.6

MHT 10200 ST5 - Dimensional drawing





Manitou North America, LLC
P.O. Box 179 - West Bend, WI 53095
Tel: 262-334-9461 www.manitou.com



This brochure describes versions and configuration options for Manitou products which may be fitted with different equipment. The equipment described in this brochure may be standard, optional or not available depending on version. Manitou reserves the right to change the specifications shown and described at any time and without prior warning. The manufacturer is not liable for the specifications given. For more information, contact your Manitou dealer. Non-contractual document. Product descriptions may differ from actual products. List of specifications is not comprehensive. The logos and visual identity of the company are the property of Manitou and may not be used without authorisation. All rights reserved. The photos and diagrams contained in this brochure are provided for information only.

MANITOU BF SA - Limited company with board of directors - Share capital: 39,668,399 euros - 857 802 508 RCS Nantes